

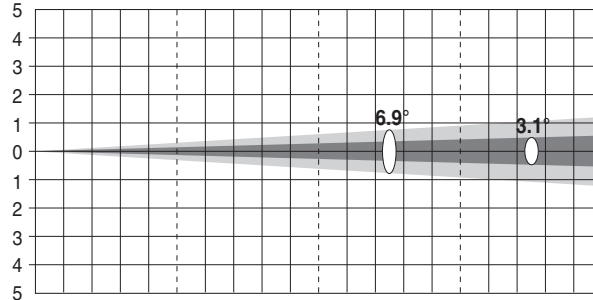
SHARPY WASH 330

Legenda Diameter 10%-50%: valori del diametro del fascio luminoso corrispondenti al 10% e 50% dell'illuminamento massimo.
Key Diameter 10%-50%: beam diameter for 10% and 50% of maximum illumination.
Légende Diameter 10%-50%: valeurs du diamètre du faisceau lumineux correspondant à 10% et 50% de l'éclairage maximum.
Legenda Diameter 10%-50%: Lichtkreis-Durchmesser bei 10% bzw. 50% maximaler Ausleuchtung.
Leyenda Diameter 10%-50%: valores del diámetro del haz luminoso correspondientes al 10% y 50% de la iluminación máxima.

Minimum Zoom (3.1° 50% - 6.9° 10%)

Total Output: 16500 lumens

lux (fc) 0 147000 (13656) 36750 (3414) 16333 (1517) 9188 (854)

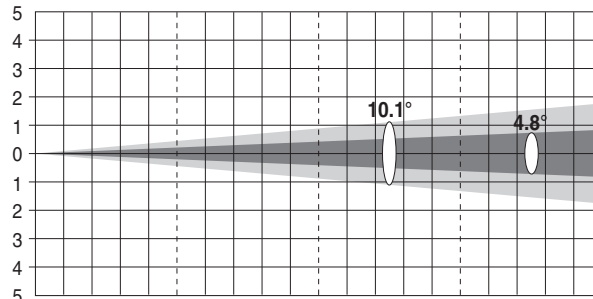


Distance m (ft in)	0	5 (16'5")	10 (32'10")	15 (49'3")	20 (65'7")
Diameter 10% m (ft in)	0	0.60 (2'0")	1.20 (3'11")	1.80 (5'11")	2.40 (7'10")
Diameter 50% m (ft in)	0	0.27 (0'11")	0.55 (1'10")	0.82 (2'8")	1.10 (3'7")

Minimum Zoom with Light Frost (4.8° 50% - 10.1° 10%)

Total Output: 14600 lumens

lux (fc) 0 62500 (5806) 15625 (1452) 6944 (645) 3906 (363)

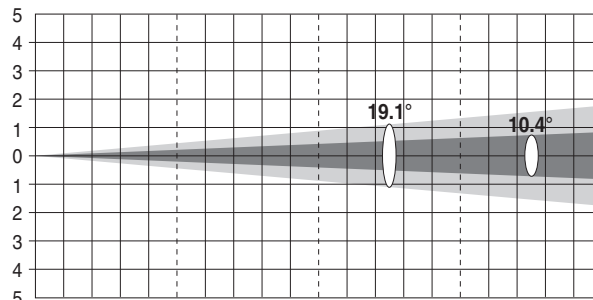


Distance m (ft in)	0	5 (16'5")	10 (32'10")	15 (49'3")	20 (65'7")
Diameter 10% m (ft in)	0	0.88 (2'11")	1.77 (5'10")	2.65 (8'8")	3.54 (11'7")
Diameter 50% m (ft in)	0	0.42 (1'4")	0.84 (2'9")	1.25 (4'1")	1.67 (5'6")

Minimum Zoom with Heavy Frost (10.4° 50% - 19.1° 10%)

Total Output: 11800 lumens

lux (fc) 0 12680 (1178) 3170 (294) 1409 (131) 793 (73.6)

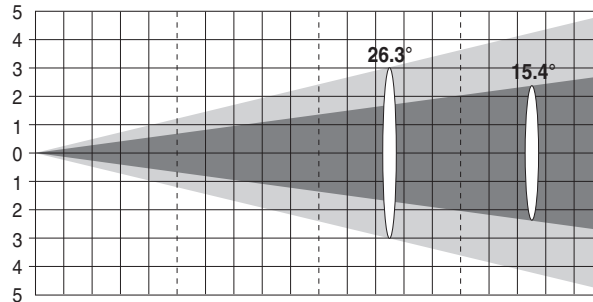


Distance m (ft in)	0	5 (16'5")	10 (32'10")	15 (49'3")	20 (65'7")
Diameter 10% m (ft in)	0	1.69 (5'6")	3.37 (11'1")	5.06 (16'7")	6.74 (22'2")
Diameter 50% m (ft in)	0	0.91 (3'0")	1.82 (6'0")	2.73 (8'11")	3.64 (11'11")

Maximum Zoom with Light Frost (15.4° 50% - 26.3° 10%)

Total Output: 17300 lumens

lux (fc) 0 8800 (818) 2200 (204) 978 (90.8) 550 (51.1)

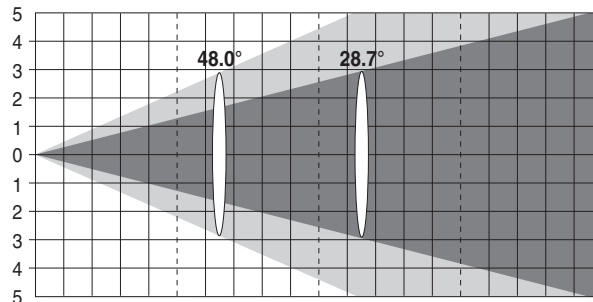


Distance m (ft in)	0	5 (16'5")	10 (32'10")	15 (49'3")	20 (65'7")
Diameter 10% m (ft in)	0	2.34 (7'8")	4.67 (15'4")	7.01 (23'0")	9.34 (30'8")
Diameter 50% m (ft in)	0	1.35 (4'5")	2.70 (8'10")	4.04 (13'3")	5.39 (17'8")

Maximum Zoom with Heavy Frost (28.7° 50% - 48.0° 10%)

Total Output: 16000 lumens

lux (fc) 0 2340 (217) 585 (54.3) 260 (24.2) 146 (13.6)



Distance m (ft in)	0	5 (16'5")	10 (32'10")	15 (49'3")	20 (65'7")
Diameter 10% m (ft in)	0	4.46 (14'7")	8.91 (29'3")	13.37 (43'10")	17.83 (58'6")
Diameter 50% m (ft in)	0	2.56 (8'5")	5.11 (16'9")	7.67 (25'2")	10.23 (33'7")