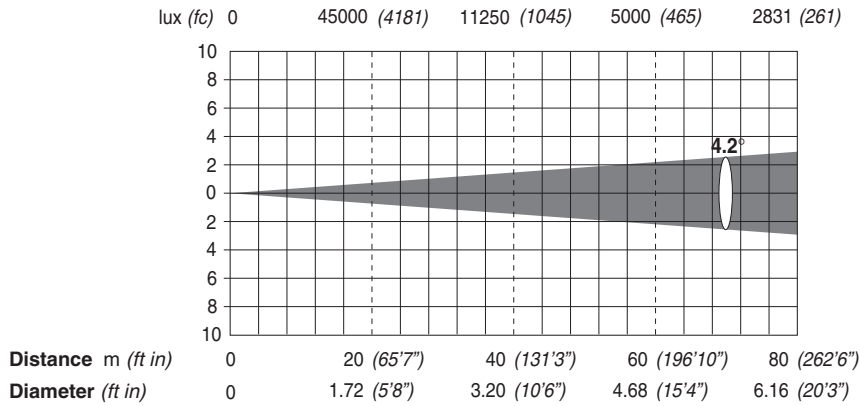


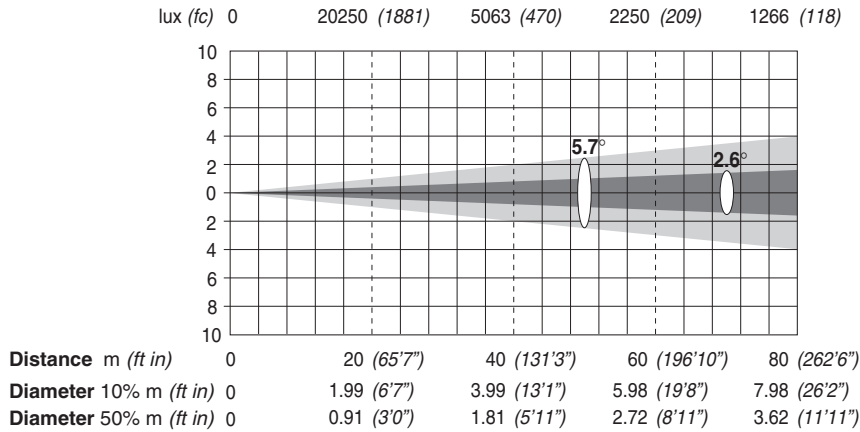
ALPHA BEAM 1500

Legenda Diameter 10%-50%: valori del diametro del fascio luminoso corrispondenti al 10% e 50% dell'illuminamento massimo.
Key Diameter 10%-50%: beam diameter for 10% and 50% of maximum illumination.
Légende Diameter 10%-50%: valeurs du diamètre du faisceau lumineux correspondant à 10% et 50% de l'éclairage maximum.
Legende Diameter 10%-50%: Lichtkreis-Durchmesser bei 10% bzw. 50% maximaler Ausleuchtung.
Legenda Diameter 10%-50%: valores del diámetro del haz luminoso correspondientes al 10% y 50% de la iluminación máxima.

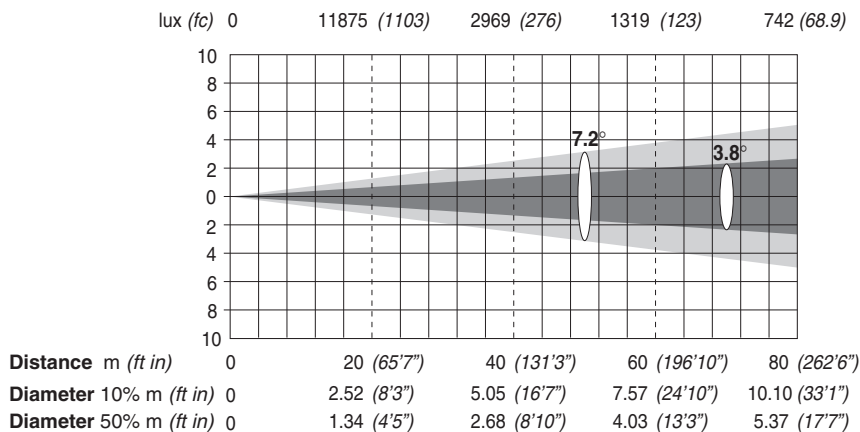
Standard (4,2°)



with Light Frost (2,6° 50% - 5,7° 10%)

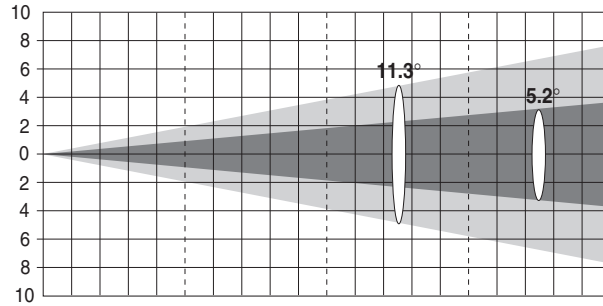


with Medium Frost (3,8° 50% - 7,2° 10%)



with Heavy Frost (5,2° 50% - 11,3° 10%)

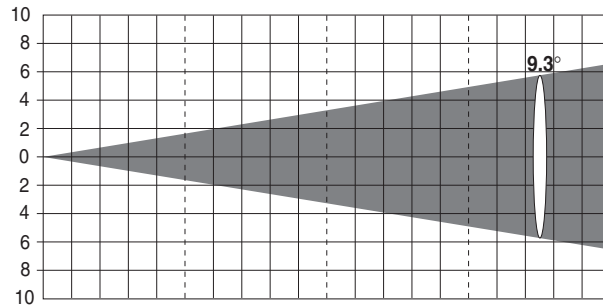
lux (fc) 0 3950 (367) 988 (91.7) 493 (40.8) 247 (22.9)



Distance m (ft in)	0	20 (65'7")	40 (131'3")	60 (196'10")	80 (262'6")
Diameter 10% m (ft in)	0	3.94 (12'11")	7.88 (25'10")	11.82 (38'9")	15.76 (51'8")
Diameter 50% m (ft in)	0	1.82 (6'0")	3.64 (11'11")	5.47 (17'11")	7.29 (23'11")

with Ovalizer filter (X axis)

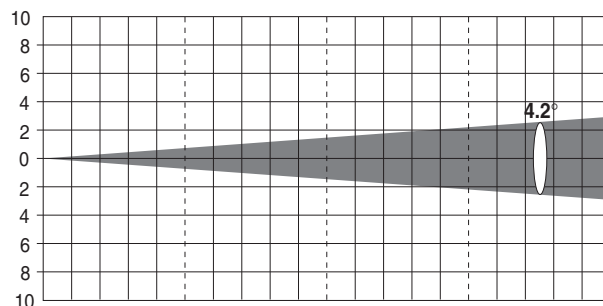
lux (fc) 0 13425 (1247) 3356 (312) 1492 (139) 839 (77.9)



Distance m (ft in)	0	20 (65'7")	40 (131'3")	60 (196'10")	80 (262'6")
Diameter (ft in)	0	3.50 (11'6")	6.76 (22'2")	10.02 (32'10")	13.28 (43'7")

with Ovalizer filter (Y axis)

lux (fc) 0 13425 (1247) 3356 (312) 1492 (139) 839 (77.9)



Distance m (ft in)	0	20 (65'7")	40 (131'3")	60 (196'10")	80 (262'6")
Diameter (ft in)	0	1.72 (5'8")	3.20 (10'6")	4.68 (15'4")	6.16 (20'3")